



F-Series²

performance validated
compressed air & gas filtration

flow capacity: 1410 - 10,230 scfm (2390 - 17,380 Nm³/hr)

F2

nano F-Series² compressed air & gas filtration

Clean and oil-free compressed air is easily achieved with the new range of F-Series² performance validated compressed air and gas filters. These high capacity flanged filters are fabricated from high quality carbon steel and are primed internally and externally for optimum corrosion resistance. The nano F-Series² filters provide:

- Improved filtration performance for high flow industrial applications
- Reliable & efficient liquid & particulate removal with low pressure drop
- 1.0 & .01 micron particulate and coalescing filters for dust, oil & aerosol removal
- AC activated carbon adsorption filter for vapor removal performance to .003 ppm
- Specialized elements for high temperature applications
- Nine models in two flow configurations from 1,410 to 10,230 scfm at 100 psig
- ANSI flanged connections ranging from 3" to 10" diameter
- Built in accordance with ASME VIII with a U-Stamp and CRN number*

Reliability is built in... backed by a 1 year element warranty and a 10 year housing warranty!

Design. Performance. Validation.

Performance Standards

The nano F-Series² filters are designed to meet or exceed compressed air purity requirements throughout the industry.

–
Designed to exceed the ISO 8573-1 standards for compressed air purity & the ISO 12500 Series International standard for compressed air filter testing.

–
The nano F-Series² filters carry CRN (Canadian Registration Numbers) for approved use in every province of Canada.*

Independent Validation

Filtration performance is validated & tested by independent laboratories in accordance with international filtration & safety standards.

–
Manufactured in ISO 9001 approved facilities.

–
Independently validated to ISO 12500.

–
See our validation brochure for full details and a copy of the test report or, simply scan the mobile tag below.



* CRN is standard on all Z-flow filters & optional on all T-flow filters.



element features

Element o-ring seal

Prevents contaminant bypass for consistent performance.

Stainless steel cylinders

Provides strength and corrosion resistance for optimum reliability.

Deep bed filter media

Low differential pressure, improved energy efficiency and long life.

Hydrophobic & oleophobic media

Borosilicate microfibers repel liquids improving performance.

Anti re-entrainment layer

Optimizes liquid drainage and minimizes differential pressure.

Outer drainage layer

Compatible with synthetic lubricants and prevents oil carry over.

housing features

Extensive range of flows & sizes

3" to 10" ANSI flanged connections and capacities up to 10,230 scfm.

Primed internally and externally

Top quality finish & coating for exceptional corrosion resistance.

Custom finish & coating options

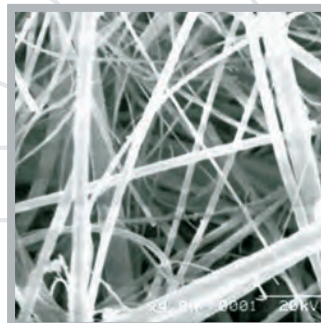
Including 3-part epoxy or powder coating for harsh environments.

Chemical compatible design

For use with all oil flooded or oil-free compressors.

High pressure & stainless steel options

Designs available to fit every application.



Deep bed of borosilicate microfibers



Blasted, primed & painted housings



naoo
PURIFICATION SOLUTIONS

naoo
PURIFICATION SOLUTIONS

sizing & specifications

Filter Model	Inlet & Outlet		Nominal Flow ⁽¹⁾		Dimensions inches					Approx. Weight	Replacement Element	
	Flange	scfm	Nm ³ /h	A	B	C	D	E	lbs	Qty	Part No.	
NFZ Series - Z Flow												
NFZ 2500 (grade)	4"	2500	4347	21	10 ³ / ₄	12 ⁷ / ₁₆	54 ¹¹ / ₁₆	30	340	3	E 0853 (grade)	
NFZ 3000 (grade)	4"	3000	5797	21	10 ³ / ₄	12 ⁷ / ₁₆	54 ¹¹ / ₁₆	30	340	4	E 0853 (grade)	
NFZ 3500 (grade)	6"	3500	5797	21	10 ³ / ₄	13 ¹⁵ / ₁₆	58 ¹¹ / ₁₆	30	370	4	E 0853 (grade)	
NFZ 4000 (grade)	6"	4000	7426	23	12 ³ / ₄	16 ¹³ / ₁₆	61 ³ / ₈	30	410	5	E 0853 (grade)	
NFZ 5000 (grade)	6"	5000	8696	24 ¹ / ₄	14	17 ⁷ / ₁₆	62	30	460	6	E 0853 (grade)	
NFZ 6000 (grade)	6"	6000	10145	24 ¹ / ₄	14	17 ⁷ / ₁₆	62	30	460	7	E 0853 (grade)	
NFZ 7500 (grade)	8"	7500	13043	28 ¹ / ₄	18	19 ⁷ / ₈	69 ⁷ / ₁₆	30	560	9	E 0853 (grade)	
NFZ 8500 (grade)	8"	8500	14493	28 ¹ / ₄	18	19 ⁷ / ₈	69 ⁷ / ₁₆	30	560	10	E 0853 (grade)	
NFZ 10000 (grade)	10"	10000	17391	28 ¹ / ₄	18	17 ¹³ / ₁₆	70 ¹ / ₈	30	640	12	E 0853 (grade)	
NFT Series - T Flow												
NFT 1400 (grade)	3"	1400	2396	17 ¹ / ₄	8 ⁵ / ₈	5 ¹ / ₄	49	30	140	1	E 1410 (grade)	
NFT 1700 (grade)	4"	1700	2888	21	10 ³ / ₄	6 ³ / ₄	49	30	330	2	E 0853 (grade)	
NFT 2500 (grade)	4"	2500	4348	21	10 ³ / ₄	6 ³ / ₄	49	30	330	3	E 0853 (grade)	
NFT 3500 (grade)	6"	3500	5797	23	12 ³ / ₄	10 ¹³ / ₁₆	55 ³ / ₈	30	360	4	E 0853 (grade)	
NFT 4000 (grade)	6"	4000	7426	23	12 ³ / ₄	10 ¹³ / ₁₆	55 ³ / ₈	30	360	5	E 0853 (grade)	
NFT 5000 (grade)	6"	5000	8696	24 ¹ / ₄	14	11 ⁷ / ₁₆	56	30	410	6	E 0853 (grade)	
NFT 7000 (grade)	8"	7000	11594	28 ¹ / ₄	18	13 ⁷ / ₈	63 ⁷ / ₁₆	30	500	8	E 0853 (grade)	
NFT 8500 (grade)	8"	8500	14493	28 ¹ / ₄	18	13 ⁷ / ₈	63 ⁷ / ₁₆	30	500	10	E 0853 (grade)	
NFT 10000 (grade)	10"	10000	17391	28 ¹ / ₄	18	12 ¹ / ₈	64 ⁷ / ₁₆	30	625	12	E 0853 (grade)	

element performance	M1	M1 HT	M01	AC
maximum particle size (ISO Class) ⁽²⁾	2	2	1	1
maximum oil content (ISO Class) ⁽²⁾	2	2	1	1
particle removal (microns)	1	1	0.01	-
max oil carry over at 68°F (ppm or mg/m ³)	0.1	0.1	0.01	0.003
recommended operating temp range	35 to 212°F	35 to 450°F	35 to 212°F	35 to 77°F
design operating temperature range	35 to 248°F	35 to 450°F	35 to 248°F	35 to 122°F

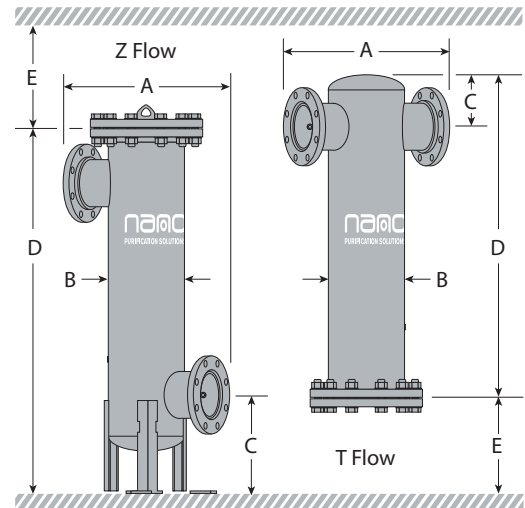
specifications	NFZ	NFT
design operating pressure range	0 - 150 psig	0 - 150 psig
condensate drain (included)	Automatic Float	Automatic Float
ASME VIII & U Stamp	standard	standard
Canadian Registration Number	standard	CF

pressure correction factors							
operating pressure (psig)	60	70	85	100	115	145	
correction factor	0.76	0.84	0.92	1.00	1.07	1.19	

(1) At 100 psig. For all other pressures, refer to the pressure correction factor table above.

(2) Per ISO 8573.1:2001 (E).

- Install with air flow from inside to outside for coalescing filtration and from outside to inside for dry particulate filtration.
- Differential pressure indicators and external float drains are fitted to all models (except with AC grade elements).
- All filter housings are primed internally and externally to prevent corrosion.
- Higher pressures, other materials of construction and custom specifications available on request.



Experience. Customer. Service... n-psi.

nano-purification solutions
11330 Vanstory Drive
Huntersville, NC 28078
USA

Tel: (704) 897-2182
Fax: (704) 897-2183
Email: support@n-psi.com
web: www.n-psi.com

